



Smart Bin

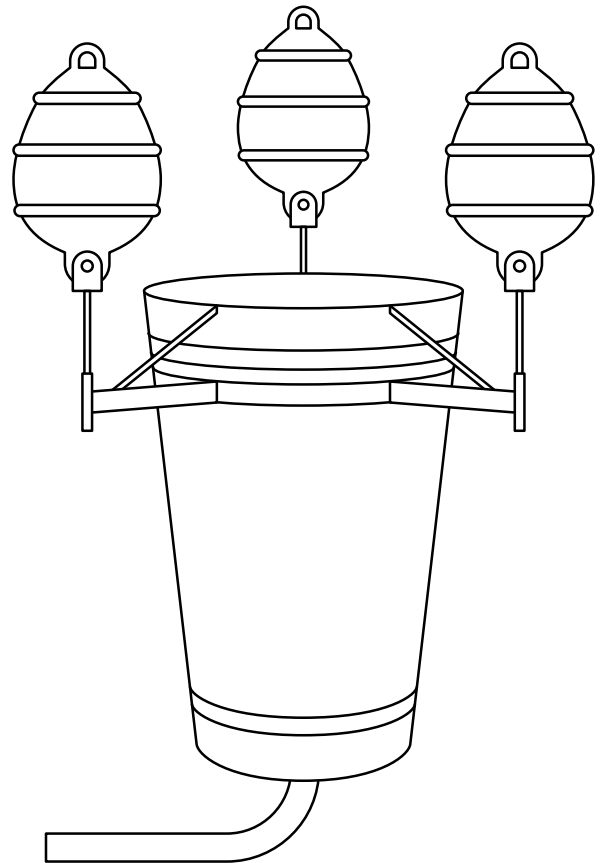
FLOATING ASSEMBLY DEVICE FOR FLOATING GARBAGE

The SmartBin design is equipped with hoses with a motor pump of high productivity, as I wet the water in SmartBin and pump it back to the pool. Smitty, as soon as I get wet with water in the SmartBin room, I'll get lost in a special collector-filter, so that I'm replaced by the world.

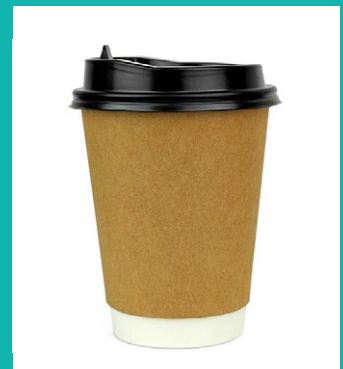
Garbage, for example, dances, packages, etc. They can be used for recycling and repeated work.

SmartBin inquiries on technology robots of threshold skimmer:

- SmartBin can take 5 to 20 kg of smitthy (It's relevant to the sight and form)
- Work for 220 V
- Garbage can be used for recycling.
- The kit includes a motor pump for driving.



SmartBin collects the following types of garbage:





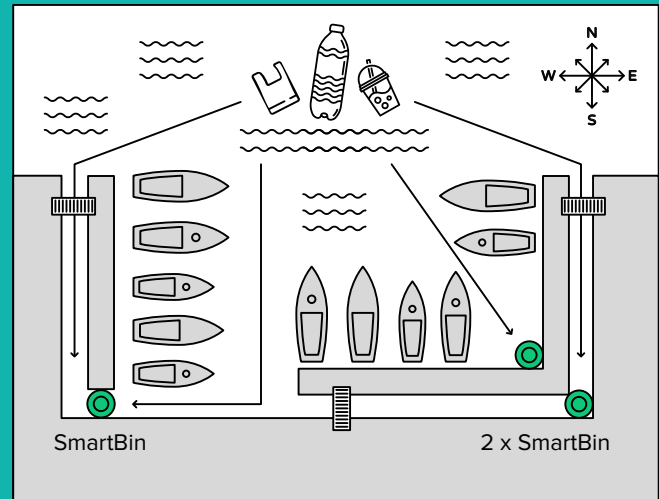
Smart Bin

FLOATING ASSEMBLY DEVICE FOR FLOATING GARBAGE

ADVANTAGES OF SMARTBIN APPLICATIONS:

- High throughput
- Reliability
- Easy to use

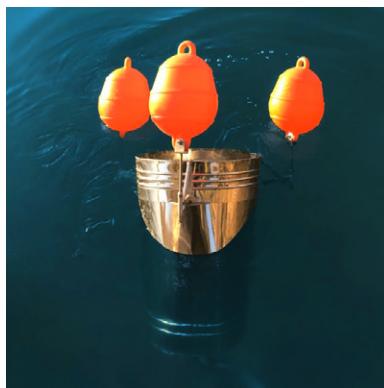
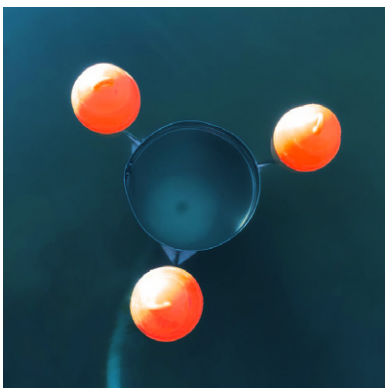
The SmartBin is installed near the berths. Structures in “problem” places where garbage floating on the water accumulates. Also, certain modifications of SmartBin may swim within the water area.



“SmartBin” are intended for cleaning surface water from debris apply:

- In marine areas;
- In the backwaters;
- In the pools;
- In yacht clubs;
- Territories of grain and coal terminals.

SmartBin +, in addition to garbage, also collects coal and grain dust and rainbow oil film from the surface of the water area. In this case, SmartBin is also supplied. Special filters for dust collection. Our device makes ports and the surrounding environment cleaner and more attractive and gives the harbor a great “Ecological hope.”



E-mail: econadin@ukr.net
 contact@econadin.com
 Skype: econad.sie
 Web: www.econadin.com, www.econad.com.ua

